

CATEGORY	DESCRIPTION	P/N #
CONNECTOR	Wafer Wire 90° SMT Type	WB001R-XX060-093S

WB001R-XX060-093S

See Table 1

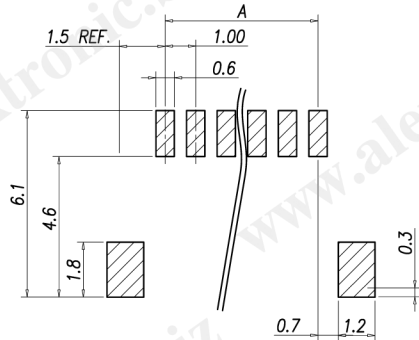
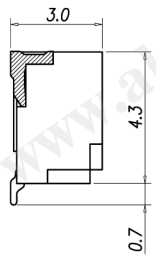
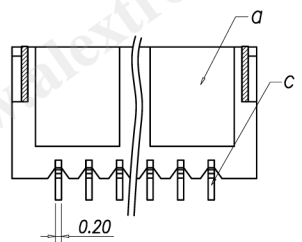
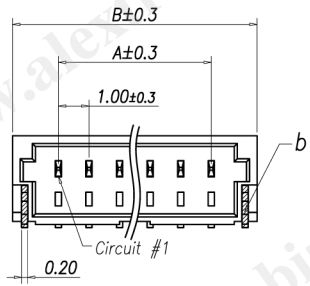
REV.	ECN NO	DESCRIPTION	REVISED	DATE
A01		New Release	Luguan	2009.07.13

SPECIFICATION

- CURRENT RATING : 3 Amp MAX.
- WITHSTANDING VOLTAGE : AC 800V MIN.
- INSULATION RESISTANCE: 1000MΩ MIN.
- OPERATING TEMPERATURE : -40° C TO +105° C

Table 1:
Pin Q'TY & Dimension

Q'TY	Dimension	
	A	B
XX		
02	1.00	4.00
03	2.00	5.00
04	3.00	6.00
05	4.00	7.00
06	5.00	8.00
07	6.00	9.00
08	7.00	10.00
09	8.00	11.00
10	9.00	12.00
11	10.00	13.00
12	11.00	14.00
13	12.00	15.00
14	13.00	16.00
15	14.00	17.00
16	15.00	18.00
17	16.00	19.00
18	17.00	20.00
19	18.00	21.00
20	19.00	22.00



Recommend PCB Layout
(Jack Top View)
Tolerance: ±0.05mm

See Table 1

NO.	PART NAME	Q'TY	MATERIAL	PLATING & COLOR	Remark
c	Terminal	XX	Phosphor Bronze, T=0.2mm	Matte Tin Plating	
b	Solder	2	Phosphor Bronze, T=0.2mm	Matte Tin Plating	
a	Housing	1	PA UL94V-0	White	

Product Drawing
ALEXTRONIC

UNLESS OTHERWISE SPECIFIED TOLERANCES	SCALE: 1/1	UNIT: mm	DWG. NO: WI-061-489
	SIZE: A3	PAGE: 1 OF 1	
DECIMALS: X ±0.5	ANGLES: X ±2'	APPROVED BY	CHECKED BY
X.X ±0.3	X.X ±1'	WYX	Pengjie
X.XX ±0.2			Luguan
CUSTOMER COPY			